

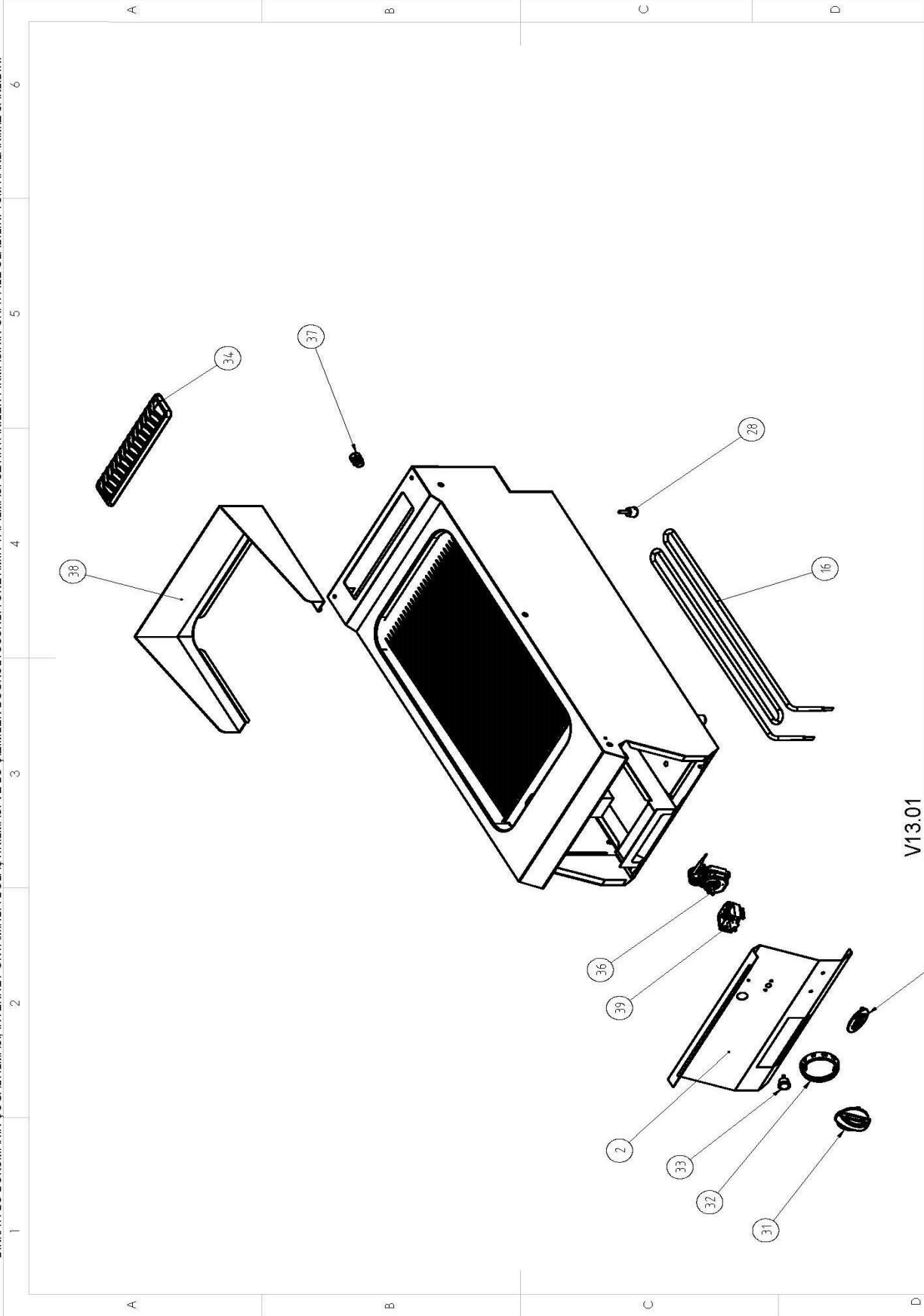


## SPARE PART LIST

Spare Part ItemCode	Item name.	PictureId
6246.00011.00	HEATING ELEMENT 2 kW 230 V FOR 900 SERIES GRILL	16
2864.N20.04000290.E.10	FRONT PANEL FOR 40'S ELECTRICAL GRILLS	2
6260.00002.05	ADJUSTABLE LEG M6	28
6260.00015.45	THERMOPLASTIC KNOB MAIN BODY WITH 6 mm INSERT	31
6260.00015.32	THERMOPLASTIC KNOB SCALE 50-300 C	32
6251.00004.30	SIGNAL LAMP BLACK BODY GREEN LENS NEON 100K-220V	33
6260.00058.96	FLUE COVER CAST IRON WITH CERAMIC ENAMEL COATED FOR ALL 700&900	34
2179.09028.01	LABEL FOR FRONT PANEL "ÖZT RYAK LER"	35
6234.00001.14	THERMOSTAT 50-300 C TRIPHASE	36
6259.00003.10	CABLE GLAND PG 21	37
2864.N20.09880139.9.15	SPLASHGUARD FOR 40'S GRILLS	38
6254.00005.04	4 POLE ON-OFF SWITCH	39



DIKKAT: BU DÖKÜMANIN COĞALTILMASI İNTERNET ORTAMINDA DOLAŞTIRILMASI VE BU ÇİZİMLER DOĞRULUSUNDA ÜRETİMİN YAPILMASI ÖZTİRYAKİLER FİRMANININ ONAYI İLE OLABİLİR. TÜM HAKLARIMIZ SAKLIDIR.



V13.01

RİSD	BİİM	İMZA	TARİH	MATERYAL	TOLERANS	ÖZTİRYAKİLER	
ÇİZEN	T.ERDOĞAN		04.01.2013		DIN 7168	PARÇA ADI	OGE 4090 N
KONTROL	M.HACI		04.01.2013		ORTA		
ONAY	M.HACI		04.01.2013				
REVİZYON	REVİZYON	2	ÖLÇEK	1:1	T. RESİM NO	OGE 4090 N	OGE 4090 N kısa platinli patlatılmış servis ve imalat
AGIRLIK(Gr.)	48194.17	KALINLIK					
TÜM ÖLÇÜLER mm ÇİNSİNDİR							

Ar-Ge  
TASARIM AŞAMASINDA

V13.01

RESİM ÜZERİNDEN ÖLÇÜ ALMAYINIZ!  
WARNING: IT IS APPROPRIATE TO MULTIPLY, USE, DISPLAY AT COMPUTER/INTERNET AND PRODUCE THE PRODUCT WITH ITS DRAWINGS WITH THE APPROVAL OF ÖZTİRYAKİLER COMPANY. ALL RIGHTS RESERVED.